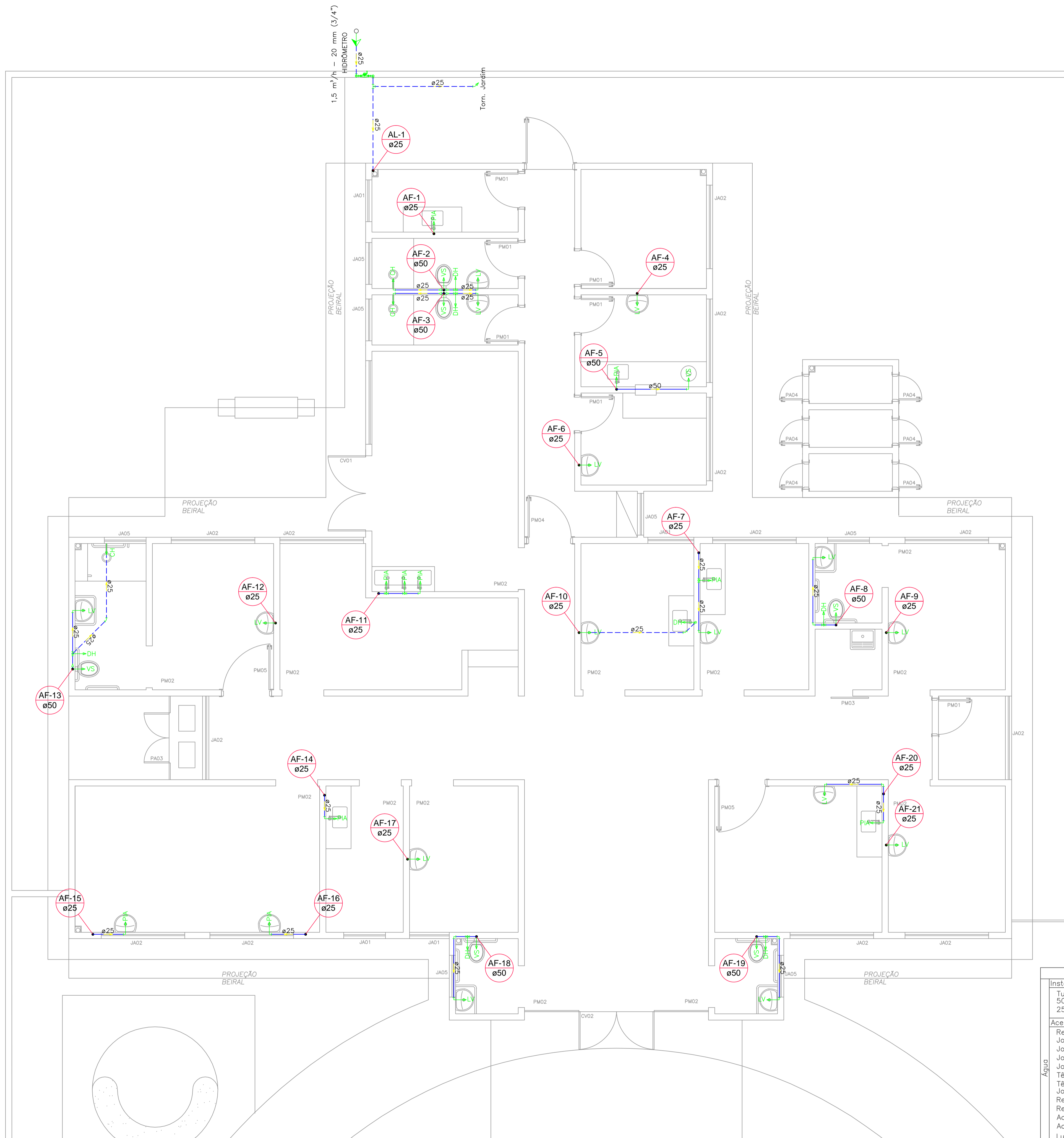
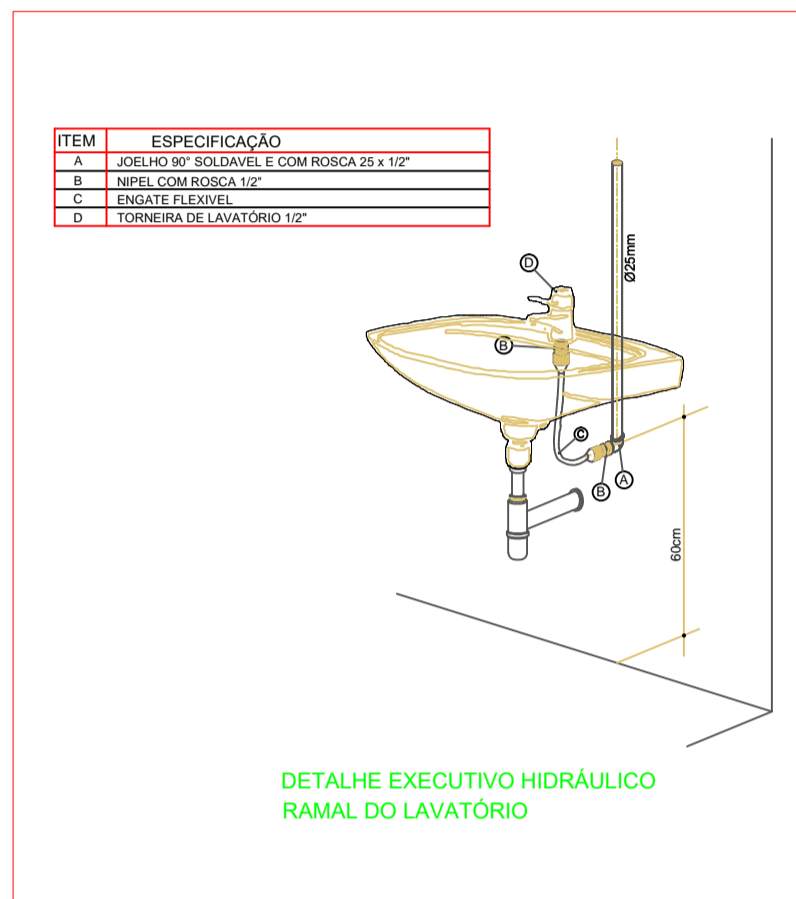
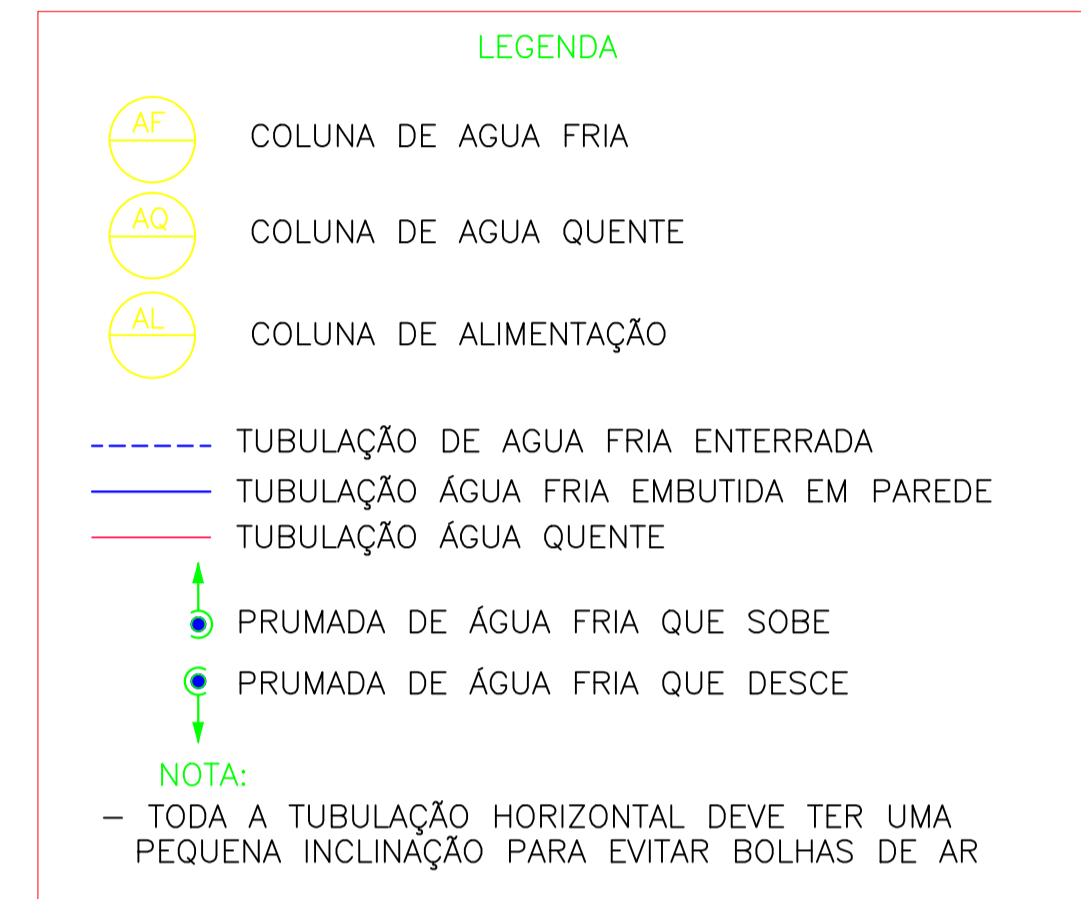
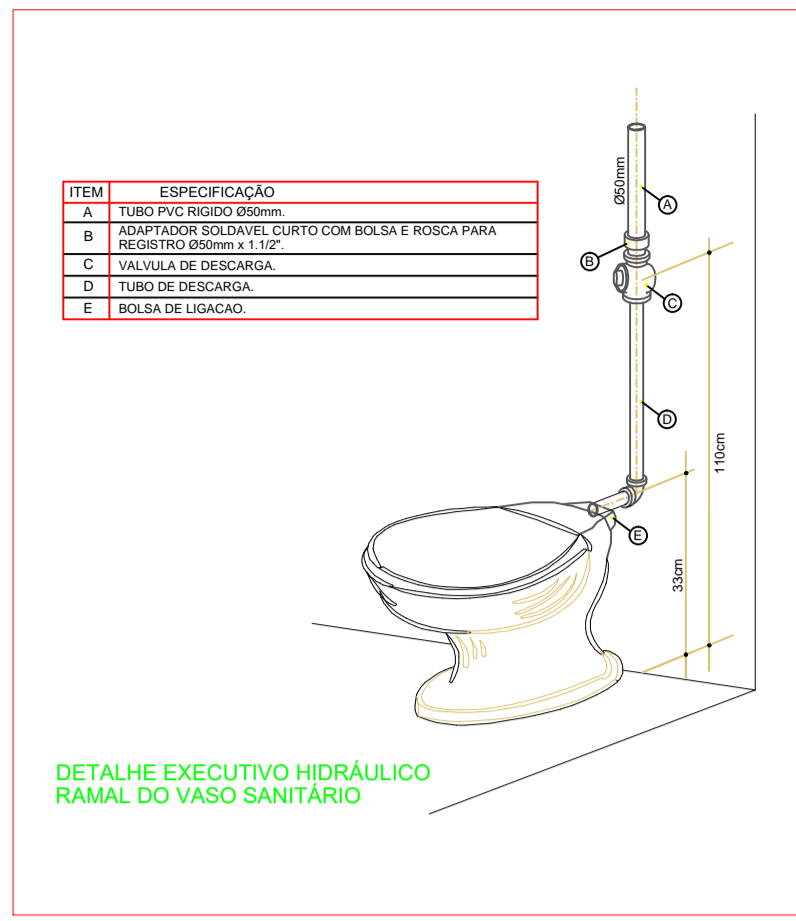
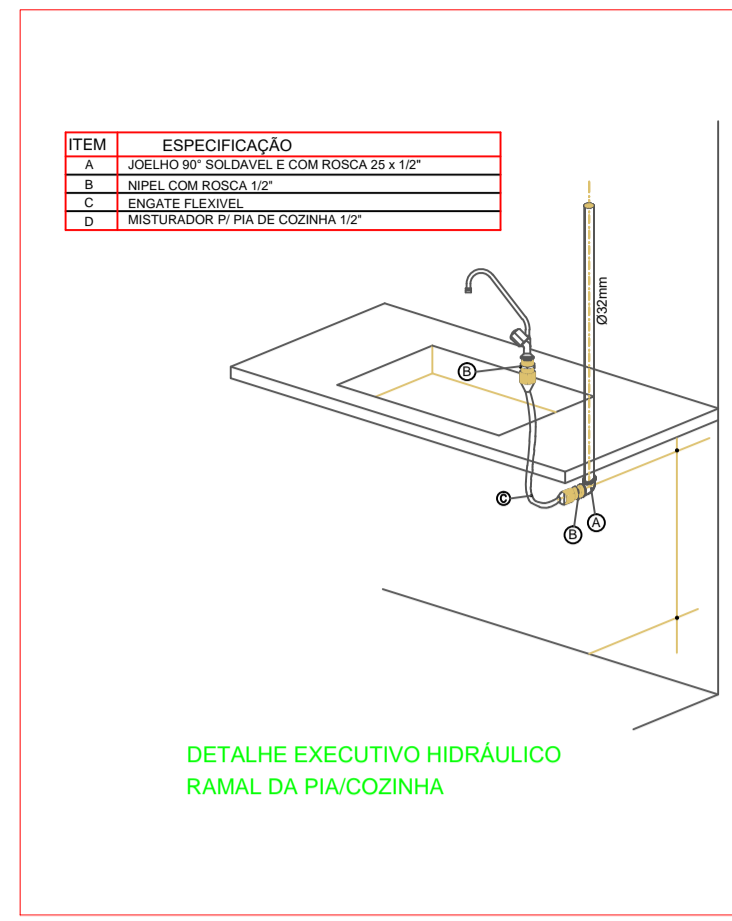


PENAS COLORIDAS		NA COR APRESENTADA	
8	0,200	12	0,200
9	0,400	10	0,400
10	0,800	11	0,800
11	1,600	12	1,600
12	3,200	13	3,200
13	6,400	14	6,400
14	12,800	15	12,800
15	25,600	16	25,600
16	51,200	17	51,200
17	102,400	18	102,400
18	204,800	19	204,800
19	409,600	20	409,600
20	819,200	21	819,200
21	1638,400	22	1638,400
22	3276,800	23	3276,800
23	6553,600	24	6553,600
24	13107,200	25	13107,200
25	26214,400	26	26214,400
26	52428,800	27	52428,800
27	104857,600	28	104857,600
28	209715,200	29	209715,200
29	419430,400	30	419430,400
30	838860,800	31	838860,800
31	1677721,600	32	1677721,600
32	3355443,200	33	3355443,200
33	6710886,400	34	6710886,400
34	13421772,800	35	13421772,800
35	26843545,600	36	26843545,600
36	53687091,200	37	53687091,200
37	107374182,400	38	107374182,400
38	214748364,800	39	214748364,800
39	429496729,600	40	429496729,600
40	858993459,200	41	858993459,200
41	1717986918,400	42	1717986918,400
42	3435973836,800	43	3435973836,800
43	6871947673,600	44	6871947673,600
44	13743895347,200	45	13743895347,200
45	27487790694,400	46	27487790694,400
46	54975581388,800	47	54975581388,800
47	109951162777,600	48	109951162777,600
48	219902325555,200	49	219902325555,200
49	439804651110,400	50	439804651110,400
50	879609302220,800	51	879609302220,800
51	1759218604441,600	52	1759218604441,600
52	3518437208883,200	53	3518437208883,200
53	7036874417766,400	54	7036874417766,400
54	14073748835532,800	55	14073748835532,800
55	28147497671065,600	56	28147497671065,600
56	56294995342131,200	57	56294995342131,200
57	112589990684262,400	58	112589990684262,400
58	225179981368524,800	59	225179981368524,800
59	450359962737049,600	60	450359962737049,600
60	900719925474099,200	61	900719925474099,200
61	1801439850948198,400	62	1801439850948198,400
62	3602879701896396,800	63	3602879701896396,800
63	7205759403792793,600	64	7205759403792793,600
64	14411518807585587,200	65	14411518807585587,200
65	28823037615171174,400	66	28823037615171174,400
66	57646075230342348,800	67	57646075230342348,800
67	115292150460684697,600	68	115292150460684697,600
68	230584300921369395,200	69	230584300921369395,200
69	461168601842738790,400	70	461168601842738790,400
70	922337203685477580,800	71	922337203685477580,800
71	1844674407370955161,600	72	1844674407370955161,600
72	3689348814741910323,200	73	3689348814741910323,200
73	7378697629483820646,400	74	7378697629483820646,400
74	14757395258967641292,800	75	14757395258967641292,800
75	29514790517935282585,600	76	29514790517935282585,600
76	59029581035870565171,200	77	59029581035870565171,200
77	118059162071741130342,400	78	118059162071741130342,400
78	236118324143482260684,800	79	236118324143482260684,800
79	472236648286964521369,600	80	472236648286964521369,600
80	944473296573929042739,200	81	944473296573929042739,200
81	1888946593147858085478,400	82	1888946593147858085478,400
82	3777893186295716170956,800	83	3777893186295716170956,800
83	7555786372591432341913,600	84	7555786372591432341913,600
84	15111572745182864683827,200	85	15111572745182864683827,200
85	30223145490365729367654,400	86	30223145490365729367654,400
86	60446290980731458735308,800	87	60446290980731458735308,800
87	120892581961462917470617,600	88	120892581961462917470617,600
88	241785163922925834941235,200	89	241785163922925834941235,200
89	483570327845851669882470,400	90	483570327845851669882470,400
90	967140655691703339764940,800	91	967140655691703339764940,800
91	1934281311383406679529881,600	92	1934281311383406679529881,600
92	3868562622766813359059763,200	93	3868562622766813359059763,200
93	7737125245533626718119526,400	94	7737125245533626718119526,400
94	15474250491067253436239052,800	95	15474250491067253436239052,800
95	30948500982134506872478105,600	96	30948500982134506872478105,600
96	61897001964269013744956211,200	97	61897001964269013744956211,200
97	123794003928538027489912422,400	98	123794003928538027489912422,400
98	247588007857076054979824844,800	99	247588007857076054979824844,800
99	495176015714152109959649689,600	100	495176015714152109959649689,600



INSTALAÇÕES ÁGUA FRIA
ESCALA 1:50



Legenda das indicações

BEB	Bebedouro com joelho de 90° - 25 mm - 1/2"
DH	Ducha Higiénica - 25mm x 3/4"
HIDRÔMETRO	Hidrômetro individual - 1,5 m³/h - 20 mm (3/4")
LV	Lavatório com joelho de 90° - 25 mm - 1/2"
PIA	Pia de cozinha com Te de 90° - 25 mm - 3/4"
RP	Registro de chuveiro - 3/4"
RG	Registro de gaveta c/canopla cromada c/PVC soldável - 3/4"
VD	Valvula de descarga c/PVC soldável - 1.1/2"
VS	Vaso sanitário

A	EMISSÃO INICIAL	Eng. Osmar P. Santos	28/06/2021
Revisão	Descrição	Responsável	Assinatura

REVISÕES

Secretaria de Infraestrutura
Gestão: 2021/2024

RESP. TÉCNICO: OSMAR PRADO DOS SANTOS CREA MG 159487/D

PROPRIETÁRIO(A): PREFEITURA MUNICIPAL DE POSSE

PROJETO HIDROSSANITÁRIO

ENDEREÇO		AV JUSCELINO K. OLIVEIRA QD. 42, SETOR MÃE BELA - POSSE/GO	
QUADRO DE ÁREAS	ASSUNTO	PROJETO	
ÁREA TERRENO: - m²	DETALHES	TABELAS	
ÁREA EXISTENTE: - m²	OBRA	PÚBLICA	ESCALA INDICADA
ÁREA A DEMOLIR: - m²	DATA	24/03/2021	CÓDIGO 0621UBSMHISA
ÁREA PROJETADA: 339,14 m²	FOLHA N°	01/03	
ÁREA TOTAL: 339,14 m²			

Lista de Materiais

Instalações hidráulicas	
Tubos PVC Soldável	
50 mm	68,9 pç
25 mm	150 pç
Acessórios	
Redução 50 mm p/ 3/4"	3 pç
Joelho 90° 25 mm	3,3 pç
Joelho 90° 50 mm	9 pç
Joelho 45° 25 mm	3 pç
Joelho 45° 50 mm	2 pç
Tê 50 mm	14 pç
Tê 25 mm	8 pç
Joelho com redução 25/20 mm	34 pç
Registro esfera 25 mm	14 pç
Registro esfera 50 mm	10 pç
Adaptador 25 mm	14 pç
Adaptador 50 mm	10 pç
Luva LR 25 mm	14 pç
Luva LR 50 mm	13 pç
Flange adaptador 50 mm	3 pç
Flange adaptador 25 mm	1 pç